

## **MOHAMAD HERESH BAGHADAM**

Email : [mhbaghadam@gmail.com](mailto:mhbaghadam@gmail.com)

Tel : +98-9187785033



### **SUMMARY**

I am faculty member of Technical and Vocational University with 17 years of official service record, now instructing at Tehran Technical and Vocational College No. 1 Enghelab Eslami. I have 18-year experience in mechanical automotive teaching theoretically and practically at universities and schools. I am the inventor of eight patents. Innovation is my passion. I'm very much interested in finding practical solution concerning mechanical systems such as: automotive system, mechanical design, innovative mechanism, agricultural-mechanical system, water re-circulation system, industrial mechanism.

### **EDUCATION**

- **PhD Candidate in Automotive Engineering**, Automotive Body and Structure, Iran University of Science and Technology (studying now).
- **Master of Mechanical Engineering**, Applied Design, Bu-Ali Sina University, Iran.
  - (GPA: 16/90) Thesis: The Effect of Parameters of Failure Mechanics (coefficient of stress and integral) in CNG composite reservoirs with metal lacquer.
- **Bachelor**: automotive Mechanics, Shahid Rajaei University of Tehran (GPA: 15). Title of thesis: Analysis of domestic facilities Compressed gas station (CNG station)

### **REGISTERED PATENTS**

- Analysis of the smart device invention for the detection and repair of asphalt road surface hole with patent number 90629.
- Design and construction of a cold water feed system in the hot water bath tube with patent number 91708.
- Design and construction of an amphibious military aid vehicle with a patent number 92314.
- Design and construction of sunflower seeds plant with patent number 90197.
- The car's headlight rotation system fitting to road bending with a patent number 90223.
- Souvenir and ATM plant design with patent number 1904.
- Design of deep garden gardens with patent number 2471.
- Intelligent Carriage Drive Vibrating Road, Patent No. 95122.

## **ACHIVEMENTS**

- Special conference speaker in the 6th International Conference on Innovation in Science and Technology, which took place on the 26th-28th of July 2019 in London, UK.
- Awarded Best Conference Paper (special prize) in the 6th International Conference on Innovation in Science and Technology, which took place on the 26th-28th of July 2019 in London, UK.
- Exemplary Teacher of Iranian Technical Universities (Iranian special prize) in 2018 – 2019.
- Won the Gold Prize of the National SHETAB Festival (2016): Titled: "The car's headlight rotation system".
- Won The Three-Top National Projects at the National Festival of Ideas of Payame Noor University (2016).
- Nominated for Inventors and Researchers of all Technical and Vocational Colleges (2015)
- Top Technical Researcher of Academic Institutes in Kurdistan province, December, 2016.
- Won First Prize of Provincial innovator of Emtenan technological Festival, 2016.
- Won the First Prize in the provincial festival of Innovative Ideas in 2016 with: "The Machine of Planting Sunflower Seeds".
- First-Prize Winner of the Provincial Festival of Innovative Ideas in 2016 with: "automotive Souvenir and Medicinal Plants".
- Top Entrepreneur of the Provincial Festival of Innovative Ideas of the Week of Research in 2015 with a project Titled: "Designing the Fastening System of Rails and Rabbits fasteners to the Roof Rails".
- First Award Winner of Provincial Festival of the Innovative Ideas with a project Titled: "Developing Cooling System and Prevention of rising the Temperature of Engine after Vehicle Shutdowns".
- Selected Innovator at the Top Innovative Idea Festival with the project titled "Smart Building Controller" 2014.

## **PROFESSIONAL EXPERIENCE**

- Member of the Committee on Entrepreneurship for Workers' Projects in TVU university.
- Member of the Arbitration Committee of the Entrepreneurship Projects of Islamic Azad University
- Member of the Arbitration Committee for Mechanical Projects of Kurdistan Institute for Jihad Studies
- Member of the Committee for the Design and Implementation of the Provincial Festival Interaction of Universities with Industries
- Pars Khodro Technical Expert
- Member of the Design and Implementation Team of CNG Equipment in the Fuel Conservation Organization of Iran - Expert in Industry Relations with the University.

## **SKILLS**

ICDL Seven Skills, Research Writing, ABAQUS Software, MATLAB, MS office.

Design and construction of an amphibious military aid vehicle with a patent number 92314.





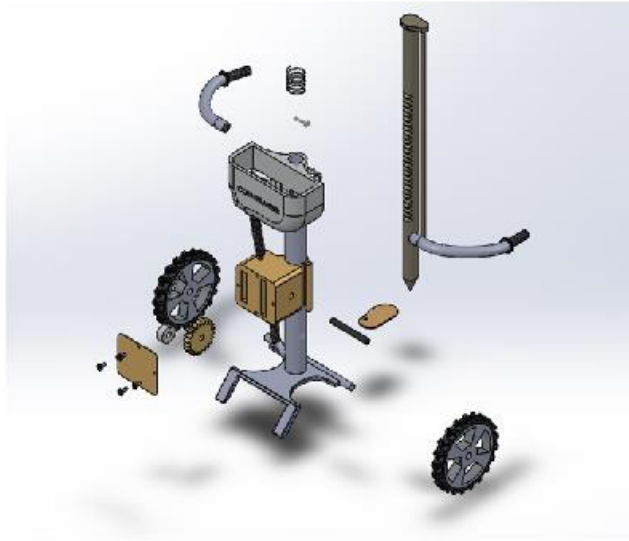
The car's headlight rotation system fitting to road bending with a patent number 90223.



Design and construction of a cold water feed system in the hot water bath tube with patent number 91708.



Design and construction of sunflower seeds plant with patent number 90197.



Intelligent Carriage Drive Vibrating Road, Patent No. 95122.

